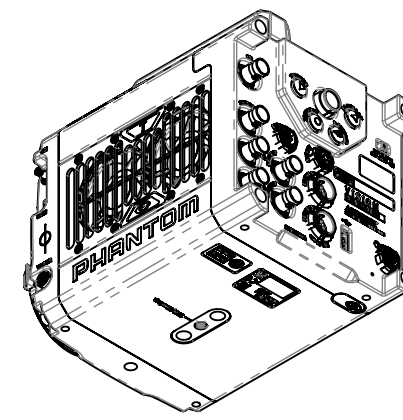
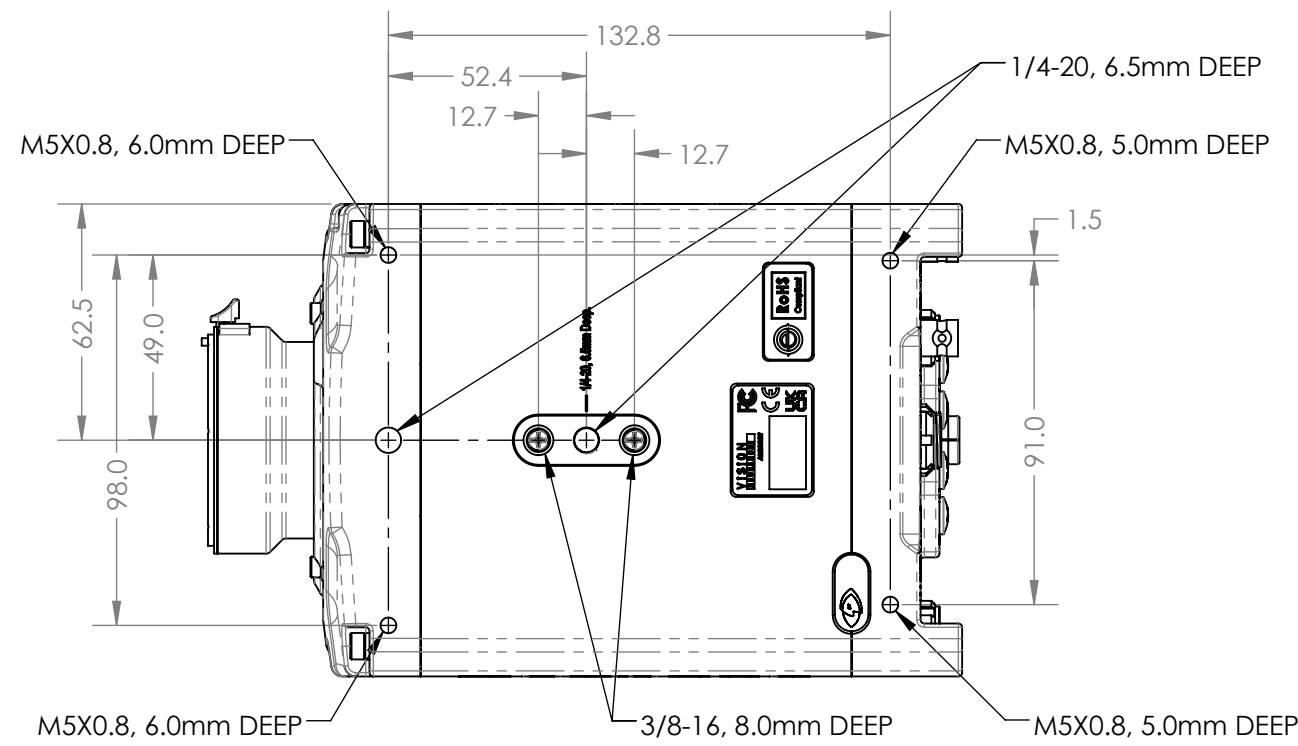
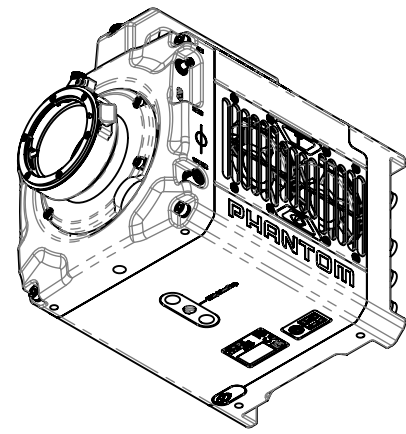
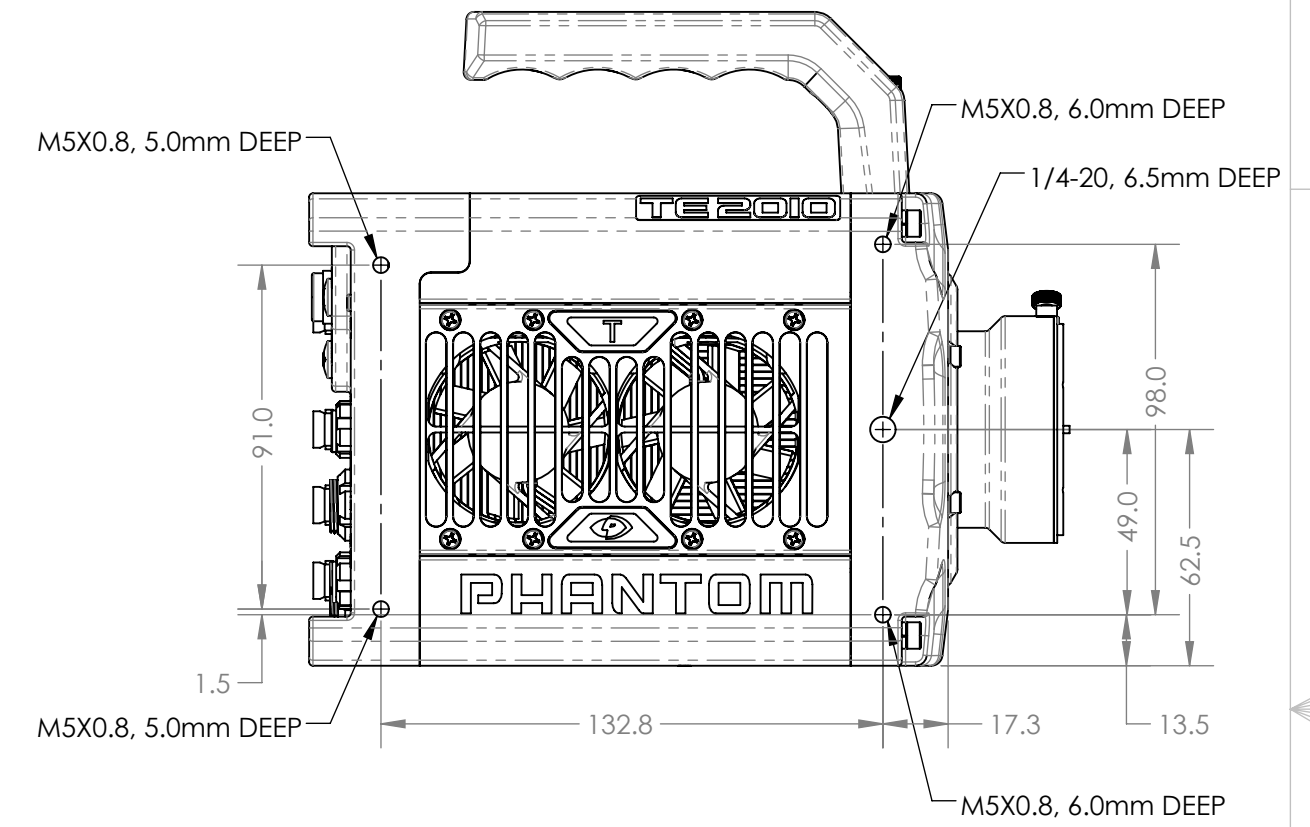
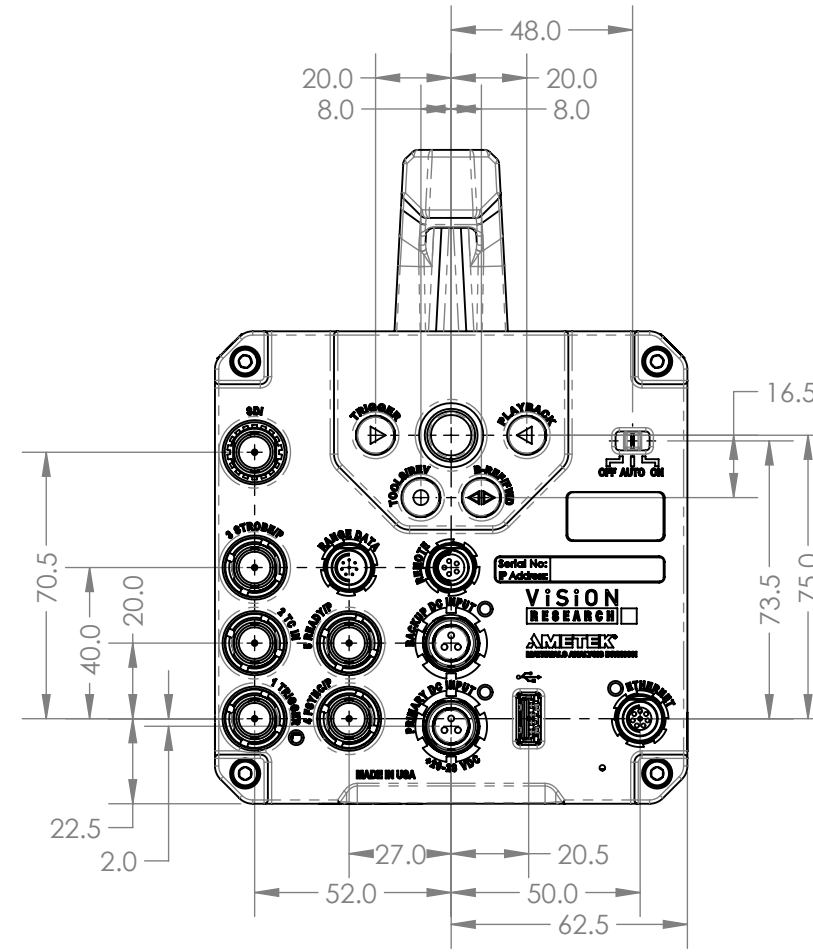
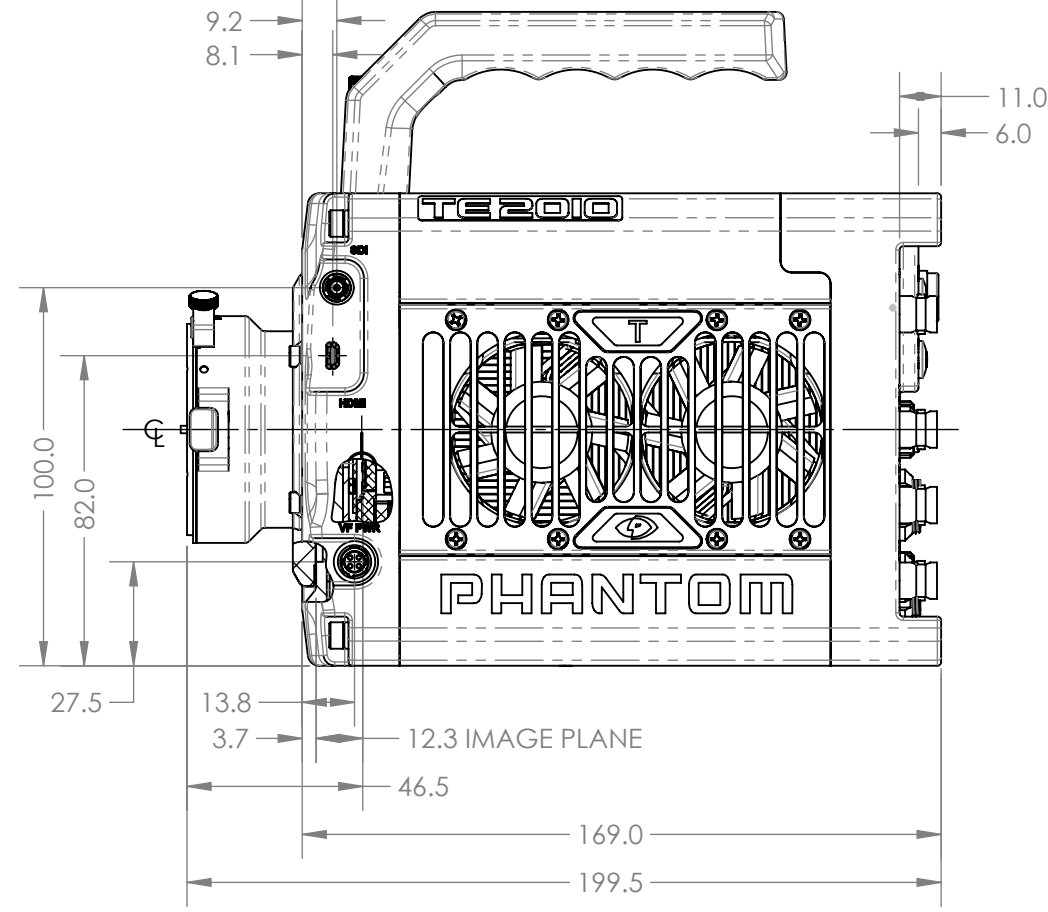
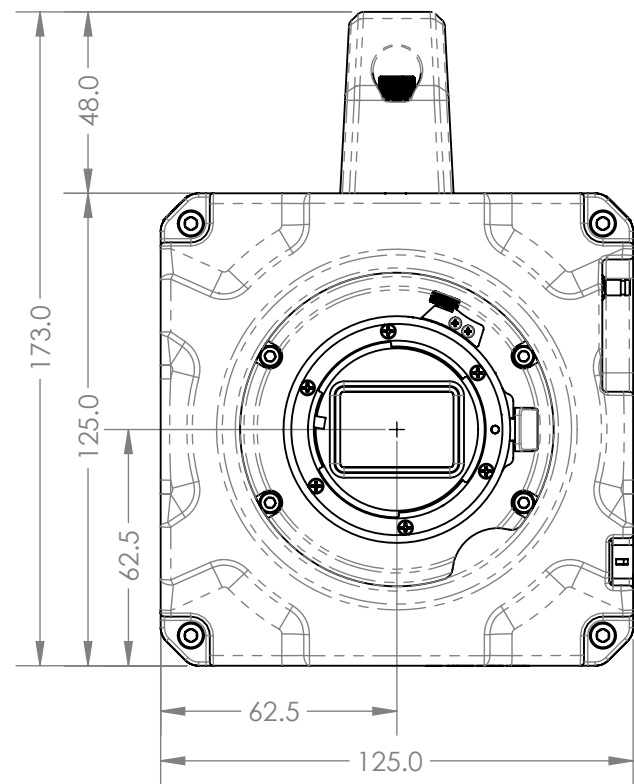
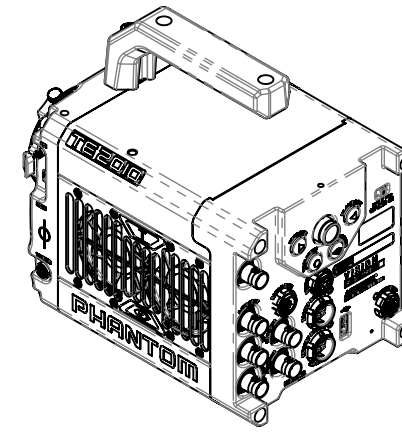
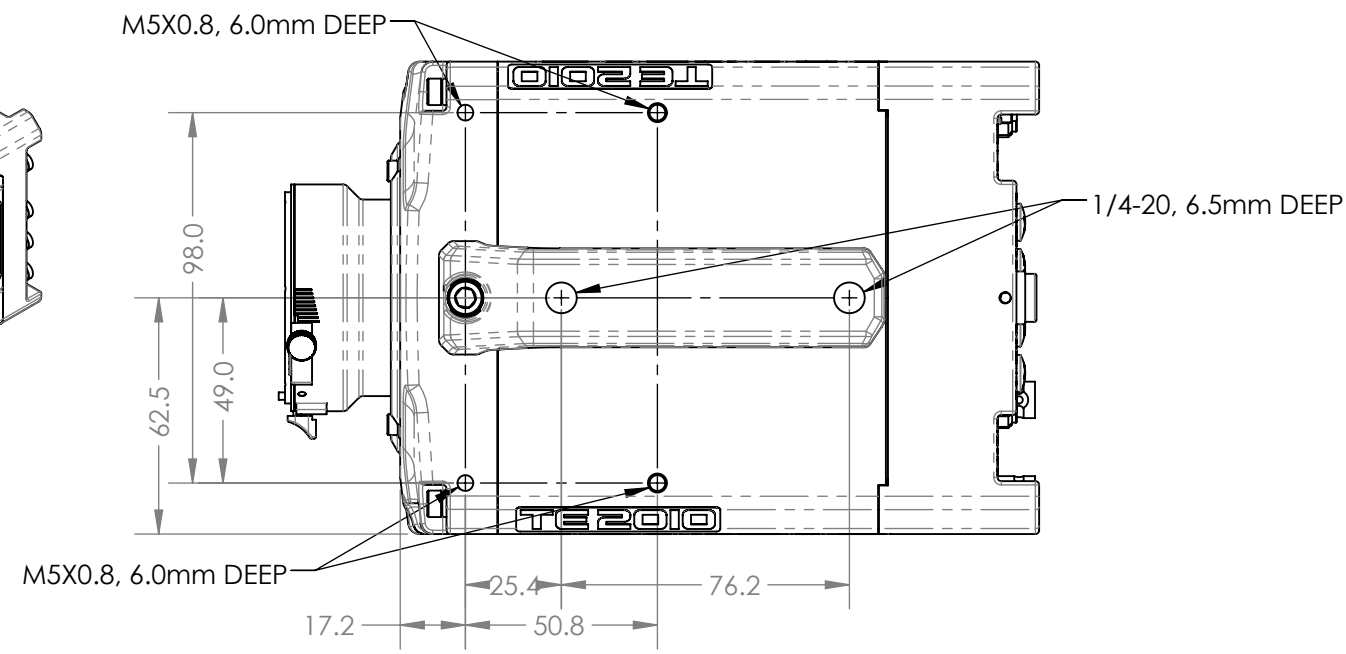
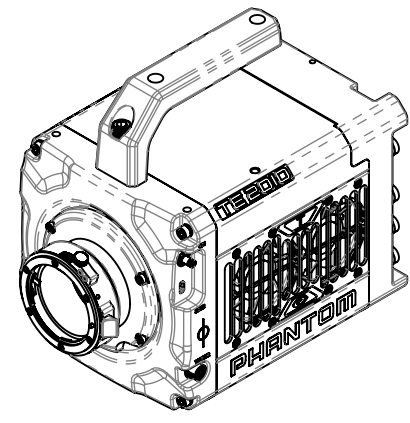


REVISIONS HISTORY			
REV.	DESCRIPTION	DRN BY	APP'D BY
0	INITIAL RELEASE	B.E.	6/14/2023



PROPRIETARY AND CONFIDENTIAL
 THE INFORMATION CONTAINED IN THIS DRAWING IS THE SOLE PROPERTY OF VISION RESEARCH. ANY REPRODUCTION IN PART OR AS A WHOLE WITHOUT THE WRITTEN PERMISSION OF VISION RESEARCH IS PROHIBITED.

UNLESS OTHERWISE SPECIFIED:	
T4040	DIMENSIONS ARE IN MM
T2040	TOLERANCES:
TE2010	FRACTIONAL: ±1/64
	ANGULAR: MACH ±0.5
	ONE PLACE ±0.25
	TWO PLACE ±0.13
NEXT ASSY	INTERPRET GEOMETRIC TOLERANCING PER:
USED ON	MATERIAL
APPLICATION	FINISH
	DO NOT SCALE DRAWING

NAME	DATE
B.E.	6/14/2023

VISION RESEARCH
 100 Dey Road
 Wayne, New Jersey 07470 USA
 973-696-4500

TITLE:
CUSTOMER DRAWING, TE2010

SIZE DWG. NO. REV
C ZDOC-64109-CD-0024 **0**

SCALE 1:1 SHEET 1 OF 1